



DVD PLAYER

Model: 100093892

PRODUCT GUIDE

**We'd love to hear from you.
Scan with your Walmart app and
let us know what you think!**

Need help? We're here for you every day
from 7:00 am – 9:00 pm CST. Give us a call at 1-888-516-2630

April 11, 2024 v5.1

Model #100093892



6 81131 41589 7

IMPORTANT SAFETY INSTRUCTIONS



CAUTION
RISK OF ELECTRIC SHOCK
DO NOT OPEN



CAUTION: TO REDUCE THE RISK OF ELECTRIC SHOCK, DO NOT REMOVE COVER (OR BACK). NO USER-SERVICEABLE PARTS INSIDE. REFER SERVICING TO QUALIFIED SERVICE PERSONNEL.



The lightning flash with arrowhead symbol within an equilateral triangle is intended to alert the user to the presence of uninsulated dangerous

The lightning flash with arrowhead symbol within an equilateral triangle is intended to alert the user to the presence of uninsulated dangerous



The exclamation point within an equilateral triangle is intended to alert the user to the presence of important operating and maintenance(servicing) instructions in the literature accompanying the appliance.



DANGER:

Invisible and hazardous laser radiation when open and interlock failed or defeated. Avoid direct exposure to beam.

Caution:

This digital video disc player employs a laser system. To ensure proper use of this product: Please read this owner's manual carefully and retain for future reference. Should the unit require maintenance, contact an authorized service location-see service procedure.

Use controls, adjustments or the performance of procedures other than those specified herein may result in hazardous radiation exposure.

To prevent direct exposure to laser beam, do not try to open the enclosure. Visible laser radiation may be present when the enclosure is opened. Do not stare into beam.

Warning:

To reduce the risk of fire or electric shock, do not expose this product to rain or moisture.

Warning:

To reduce the risk of fire or electric shock, and annoying interference, use the recommended accessories only.

SURGE PROTECTORS:

It is recommended to use a surge protector for AC connection. Lightning and power surges ARE NOT covered under warranty for this product.

FCC NOTICE:

Warning:Changes or modifications to this unit not expressly approved by the party responsible for compliance could void the user's authority to operate the equipment."

This equipment has been tested and found to comply with the limits for a Class B digital device, pursuant to part 15 of the FCC Rules. These limits are designed to provide reasonable protection against harmful interference in a residential installation. This equipment generates, uses and can radiate radio frequency energy and, if not installed and used in accordance with the instructions, may cause harmful interference to radio communications.

However, there is no guarantee that interference will not occur in a particular installation. If this equipment does cause harmful interference to radio or television reception, which can be determined by turning the equipment off and on, the user is encouraged to try to correct the interference by one or more of the following measures:

- Reorient or relocate the receiving antenna. Increase the separation between the equipment and receiver.
- Increase the separation between the equipment and receiver.
- Connect the equipment into an outlet on a circuit different from that to which the receiver is connected.
- Consult the dealer or an experienced radio/TV technician for help.

IMPORTANT SAFETY INSTRUCTIONS

Before using the unit, be sure to read all operating instructions carefully.

1) Read these instructions.

All the safety and operating instructions should be read before the product is operated.

2) Keep these instructions.

The safety and operating instructions should be retained for future reference.

3) Heed all warnings.

All warnings on the product and in the operating instructions should be adhered to.

4) Follow all instructions.

All operating and use instructions should be followed.

5) Do not use this apparatus near water. Do not use this product near water and moisture, for example: near a bathtub, washbowl, kitchen sink or laundry tub; in a wet basement; or near a swimming pool.

6) Clean only with dry cloth.

Unplug this product from the wall outlet before cleaning. Do not use liquid cleaners or aerosol cleaners. Use a dry cloth for cleaning.

7) Do not block any ventilation openings.

Install in accordance with the manufacturer's instructions.

Slots and openings in the cabinet and in the back or bottom are provided for ventilation, to ensure reliable operation of the product and to protect it from overheating. These openings must not be blocked or covered. The openings should never be blocked by placing the product on a bed, sofa, rug or other similar surface. This product should never be placed near or over a radiator or heat source. This product should not be placed in a built-in installation such as a bookcase or rack unless proper ventilation is provided or the manufacturer's instructions have been adhered to.

8) Do not install near any heat sources

such as radiators, heat registers, stoves, or other apparatus (including amplifiers) that produce heat.

9) Do not defeat the safety purpose of the polarized or grounding-type plug. A polarized plug has two blades with one wider than the other. A grounding type plug has two blades and a third grounding prong. The wide blade or the third prong are provided for your safety. If the provided plug does not fit into your outlet, consult an electrician for replacement of the obsolete outlet.

10) Protect the power cord from being walked on or pinched particularly at plugs, convenience receptacles, and the point where they exit from the apparatus.

11) Only use attachments/accessories specified by the manufacturer.

12) An appliance and cart combination should be moved with care. Quick stop, excessive force and uneven surfaces may cause the appliance and cart combination to overturn.



13) Unplug this apparatus during lightning storms or when unused for long periods of time.

To protect your product from a lightning storm, or when it is left unattended and unused for long periods of time, unplug it from the wall outlet and disconnect the antenna or cable system. This will prevent damage to the product due to lightning and power-line surges.

14) Refer all servicing to qualified service personnel. Servicing is required when the apparatus has been damaged in any way.

15) Power source.

This product should be operated only from the type of power source indicated on the marking label. If you are not sure of the type of power supply to your home, consult your appliance dealer or local power company. For products intended to operate from battery power, or other source, refer to the operation instructions.

16) Overloading

Do not overload wall outlets and extension cords as this can result in a risk of fire or electric shock.

IMPORTANT SAFETY INSTRUCTIONS

17) Object and liquid entry

Never push objects of any kind into the product through openings as they may touch dangerous voltage points or short out parts that could result in fire or electric shock. Never spill or spray any type of liquid on the product.

18) Service

Do not attempt to service this product yourself as opening or removing covers may expose you to dangerous voltage or other hazards. Refer all servicing to qualified service personnel.

19) Replacement parts

When replacement parts are required, be sure the service technician uses replacement parts specified by the manufacturer or those that have the same characteristics as the original parts. Unauthorized substitutions may result in fire or electric shock or other hazards.

20) Safety check

Upon completion of any service or repairs to this product, ask the service technician to perform safety checks to determine that the product is in proper operational condition.

21) Damage requiring service

Unplug this product from the wall outlet and refer service to qualified service personnel under the following conditions.

- a) When the power-supply cord or plug is damaged.
- b) If liquid has been spilled or objects have fallen into the product.
- c) If the product has been exposed to rain or water.
- d) If the product does not operate normally by following the operating instructions. Adjust only those controls that are covered by the operating instructions, as an adjustment of other controls may result in damage and will require extensive work by a qualified technician to restore in the product to its normal operation.
- e) If the product has been dropped or the cabinet has been damaged.
- f) When the product exhibits a distinct change in performance-this indicates a need for service.

IMPORTANT SAFETY INSTRUCTIONS



WARNING:

Cancer and Reproductive Harm-www.P65Warnings.ca.gov

Shielded cables must be used with this unit to ensure compliance with the Class B FCC limites.

- The apparatus shall not be exposed to dripping or splashing and that no objects filled with liquids, such as vases, shall be placed on the apparatus.
- Batteries should be recycled or disposed as per state and local guidelines;
- The ventilation should not be impeded by covering the ventilation openings with items, such as newspapers, table-cloths, curtains, etc.;
- The apparatus should be used in moderate climates.
- Warning: The batteries (battery pack or batteries installed) shall not be exposed to excessive heat such as sunshine, fire or the like.
- The MAINS plug is used as the disconnect device, the disconnect device shall remain readily operable.



This equipment is a Class II or double insulated electrical appliance. It has been designed in such a way that it does not require a safety connection to electrical earth.

WARNING

USE UNDER SUPERVISION OF AN ADULT DUE TO LONG CORD.

This unit has a long AC cord or other long cord that can easily be tripped on or pulled on, causing injury, Please make sure it is arranged so it will not drape over a tabletop, etc, where it can be pulled on by children or tripped over accidentally.

EXERCISE CAUTION AS UNIT HAS SHARP POINTS.

IMPORTANT SAFETY INSTRUCTIONS

NOTES ON HANDLING:

- When shipping the unit, always use the original shipping carton and packing materials. For maximum protection, repack the unit as it was originally packed at the factory.
- Do not use volatile liquids, such as insect spray, near the unit. Do not leave rubber or plastic products in contact with the unit for a long time. They will leave marks on the finish.
- The top and rear panels of the unit may become warm after a long period of use. This is normal and not a malfunction.
- When the DVD player is not in use, be sure to remove the disc and turn off the power.

NOTES ON LOCATING THE DVD PLAYER:

When you place this unit near a TV, radio or VCR, the playback picture may become poor and the sound may be distorted. In this case, move the unit away from the TV, radio or VCR.

NOTES ON CLEANING:

Use a soft, dry cloth for cleaning

- For stubborn dirt, soak the cloth in a weak detergent solution, wring well and wipe. Use a dry cloth to wipe it dry. Do not use any type of solvent, such as thinner and benzene, as they may damage the surface of the unit.
- If you use a chemical-saturated cloth to clean the unit, follow that product's instructions.

Warning: Cleaning and adjustment of lenses and/or other components of playback mechanism should be performed by a qualified service technician.

NOTES ON MOISTURE CONDENSATION:

Moisture condensation damages the DVD player.

Please read the following carefully.

- Moisture condensation occurs, for example, when you pour a cold drink into a glass on a warm day. Drops of water form on the outside of the glass. In the same way, moisture may condense on the optical pick-up lens inside this unit, one of the most crucial internal parts of the DVD player.

Moisture condensation occurs during the following cases:

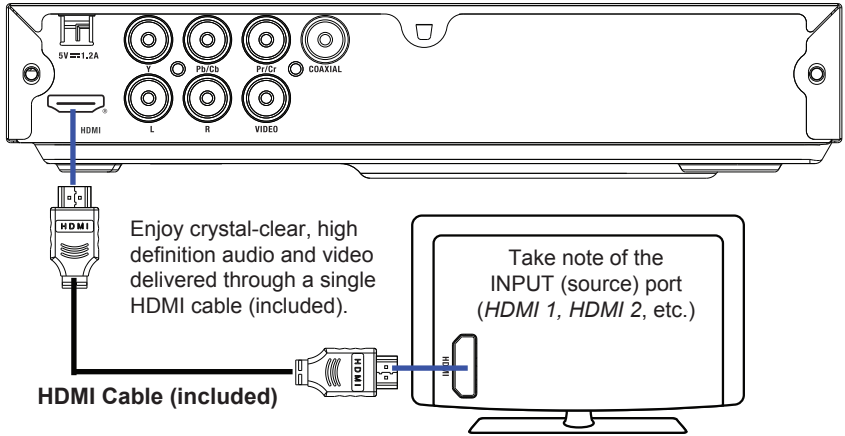
- When you bring the DVD player directly from a cold place to a warm place.
- When you use the DVD player in a room where you just turned on the heater, or a place where the cold wind from the air conditioner directly hits the unit.
- In summer, when you use the DVD player in a hot and humid place just after you moved the unit from an air conditioned room.
- When you use the DVD player in a humid place.

Do not use the DVD player when moisture condensation may occur.

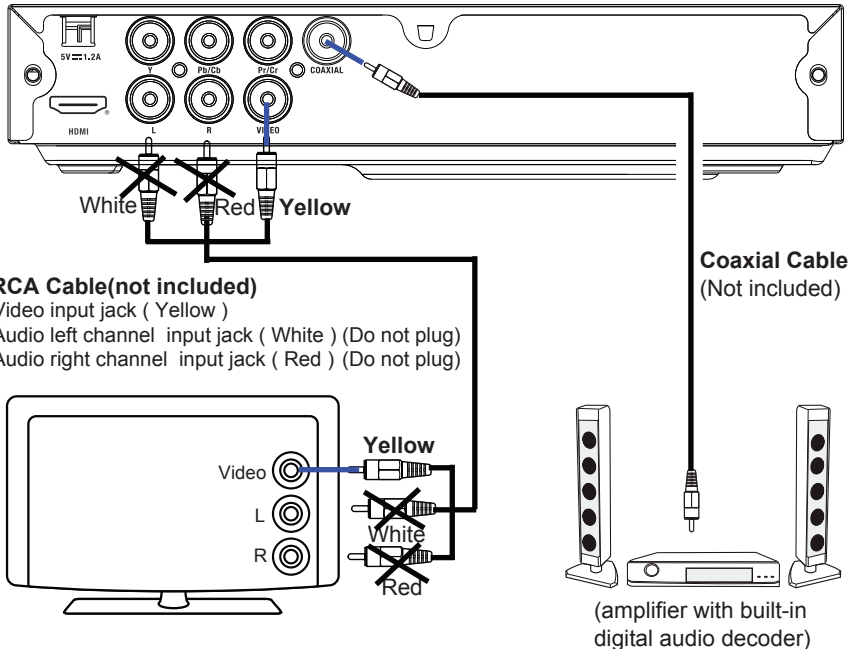
- If you use the DVD player in such a situation, it may damage discs and internal parts. Remove the disc, connect the AC/DC Adaptor to the DVD player and the wall outlet, turn on the DVD player and leave it ON for two or three hours. After two or three hours, the DVD player will have warmed up and evaporated any moisture.

CONNECTIONS

- BEST CONNECTION (HDMI):** Enjoy crystal-clear, high definition audio and video delivered through a single HDMI cable (included). Insert one end of the included HDMI cable to the HDMI port on the back of the DVD Player. Connect the other end to an open HDMI port on your TV.

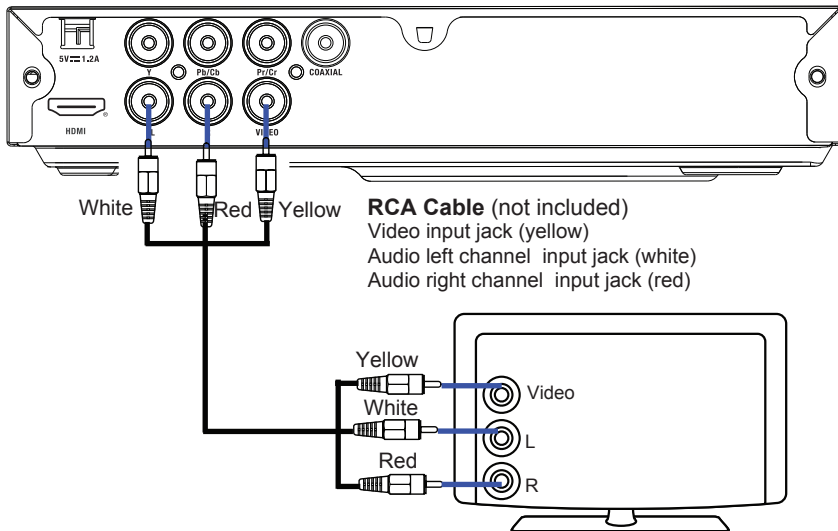


- STEREO AUDIO CONNECTION:** To utilize external audio connect through **COAXIAL** Jack.

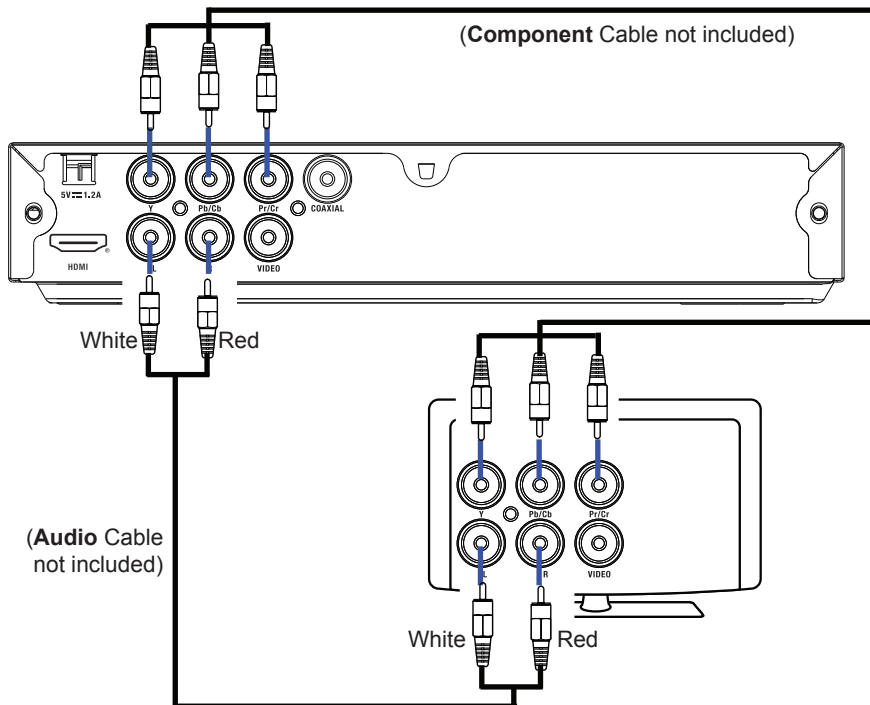


CONNECTIONS

3. COMPOSITE CONNECTION: Standard quality video and audio through **Video, L+R** Jacks.



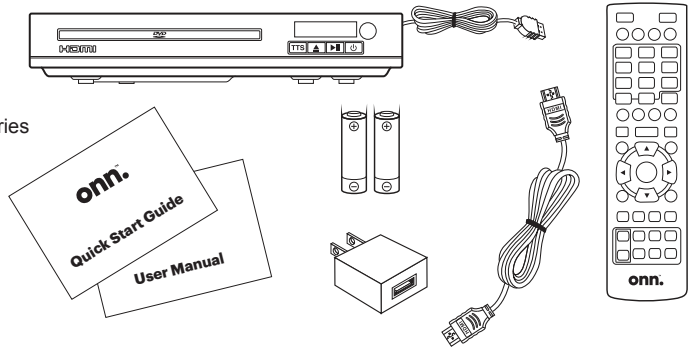
4. COMPONENT CONNECTION: HD quality video and audio through **Y, Pb/Cb, Pr/Cr (YUV)** Jacks.






GETTING STARTED

IN THE BOX:

1. DVD Player
2. User's Manual
3. Two (2) "AAA" size batteries
4. AC/USB Adapter
5. HDMI Cable
6. Remote Control



OPERATIONS:

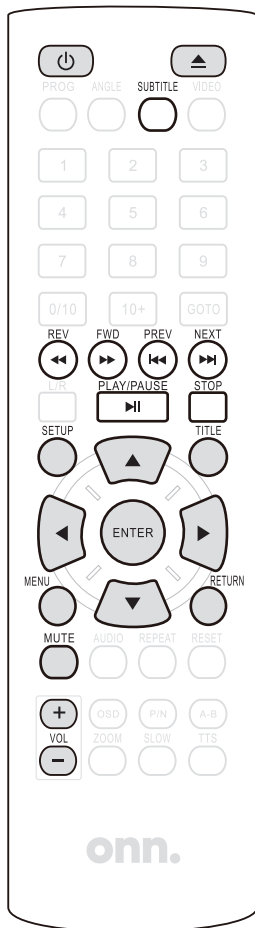
1. Connect the adapter to the wall outlet.
2. Press the  button on the unit or remote control to power on the unit.
3. Press the  button on the unit or remote control to open the disc door, place the disc on the center spindle with the label side facing up, press the  button again to close the disc door.
4. Press TITLE, or MENU buttons to get to DVD menu/title screen to select playback (follow disc's on-screen menu). Use Directional and ENTER keys as needed.



SCAN TO VIEW SET-UP VIDEO

<https://www.youtube.com/watch?v=qX0mQhG1PYU>

REMOTE CONTROL



BASIC REMOTE FUNCTIONS

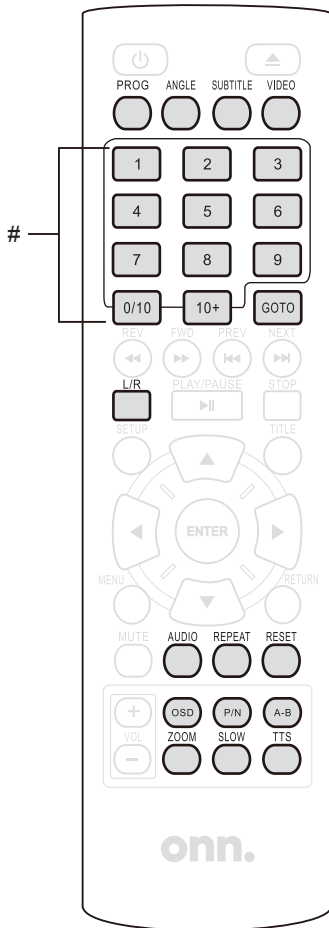
- ⏻ POWER** button: Press to power on the unit from standby mode, press again to turn to standby mode.
- ⏮ OPEN/CLOSE** button: Press to OPEN the disk tray; press again to CLOSE it.
- ⏭ SUBTITLE** button: During DVD playback, press repeatedly to select the desired subtitle (Function depends on the recording of disc).
- ⏮ REVERSE** button: Fast rewind the current track.
- ⏭ FORWARD** button: Fast forward the current track.
- ⏭ NEXT** button: Press to play next title, chapter or track.
- ⏮ PREVIOUS** button: Press to play previous title, chapter or track.
- ⏮ PLAY/PAUSE** button: Press to pause the playback; press again to back to normal play.
- ⏻ STOP** button: Press once to pause playback, press twice to stop current playback.
- ⚙ SETUP** button: Press to enter or exit DVD setup menu.
- 📄 TITLE** button: Press to return to disc's title page (Function depends on the recording of the disc).
- ⏻ ENTER** button: Press to confirm inputted numbers or highlighted item.
- DIRECTIONAL** buttons: Navigate the system or DVD title menu screen.
- ⏮ RETURN** button: Press to return to previous menu.
- 📄 MENU** button: Press to return to disc's menu page (Function depends on the recording of the disc).
- 🔇 MUTE** button: Press to turn off the sound, press again to resume.
- VOLUME +/-** buttons: Press to turn the volume up/down (NOTE: use both TV and remote volume to ensure audio).

Universal Remote Code: Most of today's Smart TVs use a Universal Remote.

When using a universal remote with this product, please enter **"OOFF"**.

Frequently Used Functions of the Remote Control: For everyday use and entertainment, use the basic function keys to power ON/OFF the DVD Player, Control Volume combined with your TV Volume. Some remote features require a DVD to be loaded and in playback mode. Advanced programming keys are not necessary for video playback.

REMOTE CONTROL



ADVANCED REMOTE FUNCTIONS

PROG (Program): Press to organize playback order.

ANGLE: During playback a DVD disc with multi-angle recording, press repeatedly to select the viewing angle.

SUBTITLE: During DVD playback, press repeatedly to select the desired subtitle

VIDEO: Press to switch to YPbPr, CVBS or YUV video mode.

Numeric buttons: for direct numerical inputs

GOTO:

- During **DVD playback**, press the GOTO button once, the Title, Chapter and Time selection menu will appear on screen. Use the Direction and Numeric Buttons to select the desired title, chapter and time, then press the ENTER button to start playback.

- During **CD playback**, press the GOTO button once, the Track and Time selection menu will appear on screen. Use the Direction and Numeric Buttons to select the desired track and time, then press the ENTER button to start playback.

L/R: Press to change to Mono L, Mono R, Mix Mono or Stereo channel.

AUDIO: During playback, press repeatedly to select the desired audio language.

REPEAT: Press to repeat ALL, OFF.

RESET: Press to reset to default settings.

OSD (On-Screen Display): During playback, press repeatedly to display playing status or turn it off.

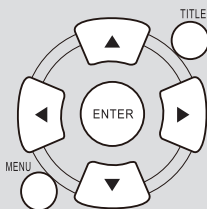
P/N (PAL/NTSC): Press repeatedly to select and set the color system to NTSC, PAL or AUTO to match the color system of the connected TV.

A-B: During playback, press the A-B button to define the starting point, press again to define ending point, the unit will then play the selected section repeatedly and continuously. To CANCEL, press the A-B button again.

ZOOM: During movies playback, press repeatedly to zoom in or zoom out the picture.

SLOW: During playback, press the SLOW button repeatedly to activate and set the slow motion speed. Press ► (Play/Pause) button to resume normal playback.

TTS: Press to turn VOICE GUIDE on or off.

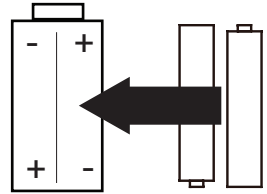


NOTE: Use Directional and ENTER keys to navigate throughout menus.

BATTERY INSTALLATION (REMOTE CONTROL)

Battery Installation:

1. Press the tab on the battery door and lift it off.
2. Install two (2) x AAA size batteries (included) into the battery compartment as the figure on right and the polarity markings inside battery compartment.
3. Replace the battery door.

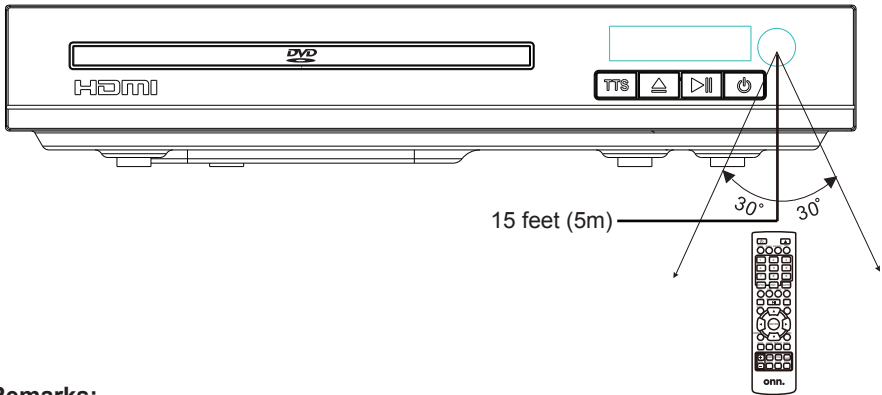


Battery Precautions:

Follow these precautions when using a battery in this device:

1. Use only the size and type of battery specified.
2. Be sure to follow the correct polarity when installing the battery as indicated in the battery compartment. A reversed battery may cause damage to the device.
3. Do not mix different types of batteries together (e.g. Alkaline and Carbon-zinc) or old batteries with fresh ones.
4. If the batteries in the device are consumed or the device is not to be used for a long period of time, remove the batteries to prevent damage or injury from possible battery leakage.
5. Do not try to recharge the battery not intended to be recharged; it can overheat and rupture. (Follow battery manufacturer's directions).
6. Do not dispose of battery in fire. Battery may explode or leak.
7. Clean the battery contacts and also those of the device prior to battery installation.

Remote Control Sensor



Remarks:

1. When there is an obstacle between the unit and the transmitter, the transmitter may not operate.
2. When direct sunlight, an incandescent lamp, fluorescent lamp or any other strong light shines on the remote sensor of the unit, the remote operation may be unstable.

ABOUT DISCS

The region number for this DVD Player is: 1
See the following page for information regarding region numbers.



PLAYABLE DISCS:

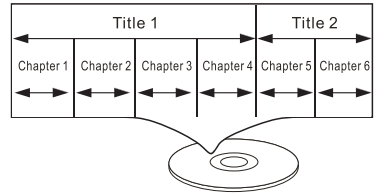
The following discs can be played back on this DVD player:



DISC TYPES:

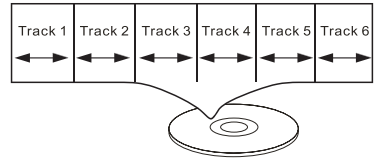
DVD

Data on most DVDs is divided into sections called titles and then into subsections called chapters, each of which is given a title or chapter number. Some features of this DVD player will not operate with some DVD discs as they are preset. If a function you selected does not run as desired, refer to the manual accompanying the DVD disc.



AUDIO CD

Data on an audio CD is divided into sections called tracks, each of which is given a track number.



IMPORTANT:

It is important that you read the manual that accompanies the DVD disc, as there are features that are on the DVD player that cannot be used with certain DVDs.

There are also extra features on the DVD disc that are different for each DVD disc, so they are not explained in this owner's manual.

This player conforms to the NTSC and PAL color systems. However, if you are in the USA, Canada or Mexico, leave this setting on NTSC. If incorrectly set to PAL, the TV picture may roll vertically. In this case, set the TV system to NTSC.

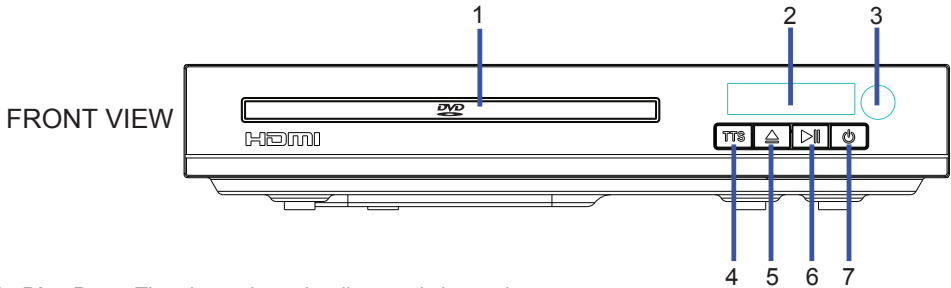
Notes on Copyright:

It is forbidden by law to copy, broadcast, show, broadcast on cable, play in public and rent copyrighted material without permission. DVD video discs are copy protected, and any recordings made from these discs will be distorted. This product incorporates copyright protection technology that is protected by method claims of certain U.S. Patents and other intellectual property rights owned by Macrovision Corporation, and is intended for home and other limited viewing uses only, unless otherwise authorized by Macrovision Corporation. Reverse engineering or disassembly is prohibited.

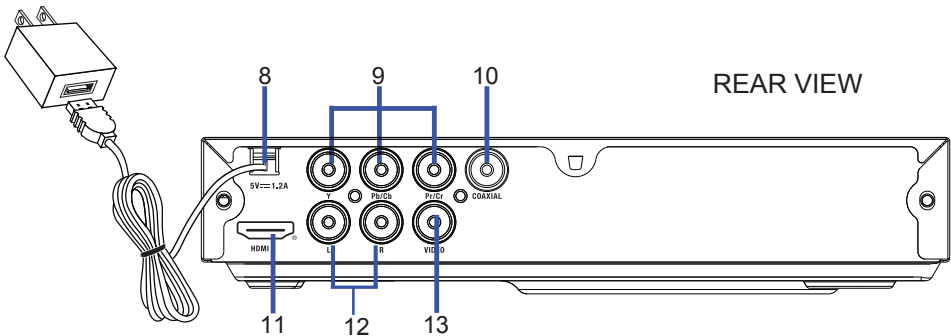
Region Management Information:

This DVD Player is designed and manufactured to respond to the Region Management Information that is recorded on a DVD disc. If the Region number described on the DVD disc does not correspond to the Region number of this DVD player, this DVD player cannot play that disc. You may not be able to play back some DVD video discs on this player if they were purchased from outside your geographic area or made for business purposes. When you try to play back an unauthorized disc, Wrong Region appears on the TV screen.

LOCATION OF CONTROLS



1. **Disc Door:** The place where the disc tray is located
2. **Display:** To display power & playback information
3. **Remote Sensor:** To receive infrared signals from the remote control
4. **TTS (Text to Speech) button:** Press this button to enable TTS function, press again to disable it.
5. **Open/Close button:** Press it to open the disc door, press again to close it.
6. **Play/Pause button:** Switch the play and pause condition during playback
7. **Power button:** Press to turn on the unit, press again to turn it to standby mode.



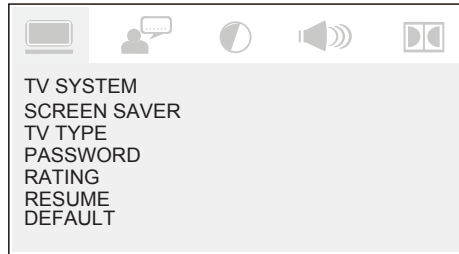
8. **Power Cord:** Insert its USB end to the power adapter
9. **Y,Pb/Cb,Pr/Cr Output Jacks:** One video connection method
10. **COAXIAL Jack:** This jack sends out digital audio signal, and should connect to outer amplifier with built-in digital audio decoder
11. **HDMI Output Port:** The most convenient method to connect to the TV.
12. **Audio L (Left) /R (Right) Jacks:** This jack sends out analog audio signal, and can connect to the most kind of speakers
13. **VIDEO Jack:** Sending out analog video signal, often used with L jack and R jack as RCA connection method.

ADVANCED SETUP OPTIONS

Setting Menus:

Press the SETUP button, the setting menu will appear on the screen as below. Using the Direction ▲, ▼, ◀, ▶ Buttons to select and highlight the function you need to set or reset. Press the ENTER button to enter or confirm the selection. After setting, press SETUP button to save the settings and exit.

System Setup:



1. If **TV SYSTEM** is selected, using the Direction and ENTER Buttons to set the TV Type to AUTO, NTSC or PAL to match the color system of the connected TV.
(Note: The TV color system in US, Canada and Mexico is **NTSC**).
2. If **SCREEN SAVER** is selected, if set to On, the screen saver will come on when the unit idles or the image is paused for several minutes.
3. For screen aspect ratio use **TV TYPE** menu: Use Direction and ENTER Buttons to set the aspect ratio to 16:9 ; 4:3 LB (4:3 LB "Letter Box") or 4:3 PS (4:3 PS "Progressive Scan") to match the aspect ratio of connected TV. Default setting is widescreen 16:9.
4. For Parental Controls use **PASSWORD** menu:

- To release the lock and set/reset the rating level:

When **PASSWORD** is selected and highlighted, press the ENTER button to enter. " ---- 🔒 " on the screen will be highlighted, enter the default password "0000" by press the numeric buttons then press the ENTER button to unlock. " ---- 🔓 " will appearing. Then press the Direction ▼ button to highlight **RATING** on the screen to set or reset the rating level.

- To set or reset new password and rating level:

When **PASSWORD** is selected and highlighted, press the ENTER button to enter. " ---- 🔒 " on the screen will be highlighted, enter the default password "0000" by press the numeric buttons then press the ENTER button to unlock. " ---- 🔓 " will appearing.

Using the direction ▶ Button to highlight the " ---- 🔓 " on screen again. Enter the new four (4) digit password by press the numeric buttons then press the ENTER button to save the settings and exit. Press the Direction ▼ button to highlight **RATING** on the screen to set or reset the rating level .

5. If Parental Controls (**RATING**) is selected after unlock, using the Direction and ENTER Buttons to change the rating level as follows.

- Press the ▲ or ▼ Buttons to select the desired level as the list below.
- Press the ENTER button to confirm the selection.

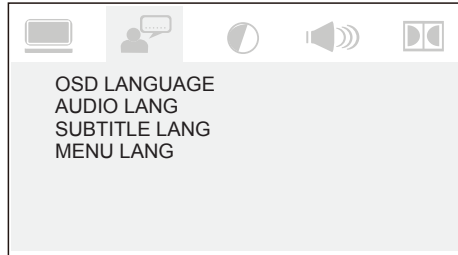
PARENTAL RATING LEVELS

1. **KID SAFE:** Kid safe
2. **G:** All ages
3. **PG:** Parental Guidance
4. **PG 13:** Parental Guidance less than 13 years old
5. **PG-R:** Under 17 years old, Parental Guidance suggested
6. **R:** Under 17 years old, Parental Guidance strongly
7. **NC-17:** 17 years old or above
8. **ADULT:** Adult only

SETUP continued

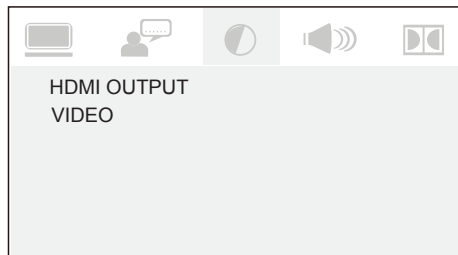
6. If **RESUME** is selected, using the Direction and ENTER Buttons to set it On or Off. If set to On, when replays the same disc, the unit will start playback from the point where the disc stopped.
7. If **DEFAULT** is selected, using the Direction and ENTER Buttons to reset to factory settings or press the SETUP button to exit without changes.

Language Setup:



1. If **OSD LANGUAGE** (On Screen Display) is selected, using the Direction and ENTER Buttons to set the priority of the available language. (Function depends on the recording of the disc.)
2. If **AUDIO LANG** (Audio Language) is selected, using the Direction and ENTER Buttons to set the priority of the available language.
3. If **SUBTITLE LANG** (Subtitle Language) is selected, using the Direction and ENTER Buttons to set the priority of the available language or set it off.
4. If **MENU LANG** (Menu Language) is selected, using the Direction and ENTER Buttons to set the priority of the available language of the on screen menu.

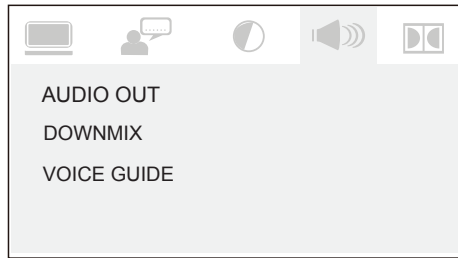
Video Setup:



HDMI is recommended to enjoy crystal-clear, high definition audio and video delivered through a single HDMI cable (included).

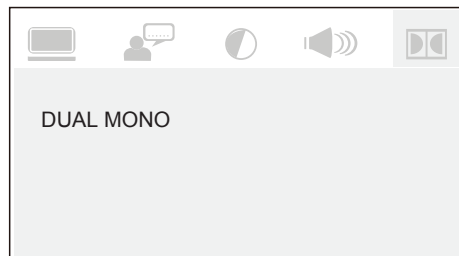
1. Recommended **HDMI OUTPUT**, set it to HD resolution of output signal to match the connected TV.
2. If **VIDEO** is selected, using the Direction and ENTER buttons to set it to CVBS to match the connected TV connected through Component Video jack, set it to YUV or Y,Pb,Pr when connected through Y, Pb/Cb, Pr/Cr jacks.

Audio Setup:



1. If **AUDIO OUT** is selected, using the Direction and ENTER Buttons to set it to SPDIF/OFF, SPDIF/RAW or SPDIF/PCM.
SPDIF/OFF: Digital audio output off.
SPDIF/RAW: When the player is connected to an amplifier through the coaxial cable.
SPDIF/PCM: When the player is connected to a 2 channel digital stereo amplifier.
2. If **DOWNMIX** is selected, using the Direction and ENTER Buttons to set it to LT/RT or STEREO.
~ If set to LT/RT, the rear left or rear right channels in Dolby 5.1 recording DVD disc will play on both Left and Right Speakers.
~ If set to STEREO, the rear left channel will play on Left Speaker; the rear right channel will play on Right Speaker.
Note: Function depends on the recording of disc.
3. If **VOICE GUIDE** is selected, using the Direction and ENTER Buttons to set it On or Off, when set to On, the unit will sound when each button is pressed.

Digital Setup:



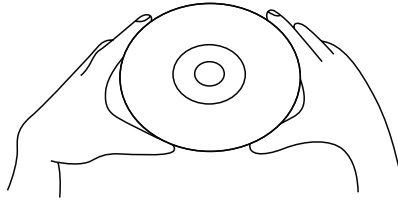
1. If **DUAL MONO** is selected, using the Direction and ENTER Buttons to set it to STEREO, MONO-L (Plays Left channel on all speakers), MONO-R (Plays Right channel on all speakers) or MIX-MONO (Mixed Right and Left channel then plays on all speakers) as desired.
(Functions depend on the recording of the disc).

CARE AND MAINTENANCE

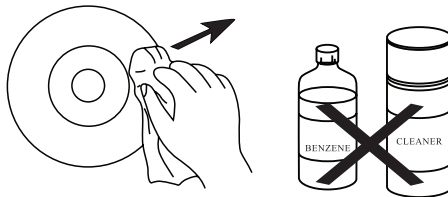
Caring for Discs

Treat the disc carefully. Handle the disc only by its edges.

Never allow your fingers to contact with the shiny, unprinted side of the disc.



- Do not attach adhesive tape, stickers, etc. to the disc label.
- Clean the disc periodically with a soft, lint-free, dry cloth. Never use detergents or abrasive cleaners to clean the disc. If necessary, use a CD cleaning kit.
- If a disc skips or gets stuck on a section of the disc, it is probably dirty or damaged (scratched).
- When cleaning the disc, wipe in straight lines from the center of the disc to the outer edge of the disc. Never wipe in circular motions.



- Discs should be stored in their cases after each use to avoid damage.
- Do not expose discs to direct sunlight, high temperatures or dust, etc. Prolonged exposure or extreme temperatures can warp the disc.
- Do not stick or write anything on either side of the disc. Sharp writing Instruments, or the ink, may damage the surface.

Cleaning the Unit

- To prevent fire or shock hazard, disconnect your unit from the AC power source when cleaning.
- The finish on your unit may be cleaned with a dust cloth and cared for as other furniture. Use caution when cleaning and wiping the plastic parts.
- Mild soap and a damp cloth may be used on the front panel.

TROUBLESHOOTING GUIDE

Check the following before requesting service:

SYMPTOM	POSSIBLE CAUSE	POSSIBLE SOLUTION
No power	Adapter plug unplugged.	Plug the power plug in the outlet.
	No power to AC outlet.	Check power to outlet.
Disc can not be played	Wrong type of discs or the disc is damaged.	Try other discs
	The disc is dirty or inserted incorrectly.	Clean disc and insert with label side up.
	Condensation has formed.	Unplug the unit and wait it about one to two hours until the player is dry.
No picture and/or no sound.	The connection cables are not installed correctly.	Re-install the connection cables.
	The video output of the player is not set or connected properly	Press the VIDEO button repeatedly until correct picture appears on TV.
	The connected TV power is off.	Turn on TV.
Playing picture rolling	Color system of the player has wrong settings. PAL for USA, Canada Mexico; NTSC in other regions	Press the P/N button repeatedly to set to correct system to match connected TV in your region.
Picture quality not good	The disc may be dirty or damaged.	Test with a different disc. Clean a dirty disc
Remote control not working properly	The batteries may be weak or dead.	Replace batteries.
	The batteries are not installed properly.	Install batteries as the polarity markings inside battery compartment.
	The remote is not aimed at the sensor.	Aim the remote to the sensor.
	Distance is too far.	Operate within 15 feet.
	There is an obstacle in the path of the signal.	Remove obstacle.
The unit does not start at playback	DVD not inserted, or inserted upside-down.	Insert DVD disc correctly.
	A non-playable disc is inserted.	Try other CD, DVD discs.
	The disc is not placed on the tray.	Place the disc on the disc tray with label side face up.
	The disc is dirty.	Clean the disc.
Some functions do not operate	Some features and functions are not available on the current discs.	Try other discs.
Parental Control password has been forgotten	Didn't record password anywhere; DVD player passes ownership	Use the default password "1234" to unlock and/or reset a new password.

SPECIFICATIONS

POWER SOURCE:

AC Power Input: AC100-240V~ 50/60Hz, 0.5A Max

DC Power Output: DC 5.0V  1.2A

Disc Compatibility: DVD/CD/CD-R/CD-RW/DVD±R/DVD±RW

Connection: Composite, Coaxial, HDMI, Component

SPECIFICATIONS ARE SUBJECT TO CHANGE WITHOUT NOTICE

IN THE BOX

DVD Player

Quick Start Guide and User's Manual

AC/USB Adapter

HDMI Cable

Remote Control with 2 "AAA" size batteries



"DVD logo" is a trademark of DVD Format/Logo Licensing Corporation.



The terms HDMI and HDMI High-Definition Multimedia Interface, and the HDMI logo are trademarks or registered trademarks of HDMI Licensing Administrator, Inc. in the United States and other countries.

ACCESSIBILITY

How to Enable and Disable Text-to Speech(TTS) on my DVD player?

Your DVD Player has a built-in Audio Guide, which includes Text-to-Speech and Video Description, which assist users to navigate the on-screen menus.

Text-to-Speech, or TTS, is a form of speech synthesis that converts written text into a spoken voice output. This allows visually impaired people to listen to digital content that they are unable to read.

Video Description is audio narration added to a movie soundtrack describing key visual elements that blind or visually impaired viewers might otherwise miss. Such elements include settings, scene changes, speaker identification, clothing, facial expressions, actions, and onscreen text.

Once this Text-to-Speech feature is activated, the Audio Guide will read out text, menu items, and other on-screen items. Once Video Description is activated, Audio Guide will describe key visual elements by audio narration.

Below are the instructions to enable or disable this feature:

Method 1: Press the TTS button on remote control to turn on or turn off the voice guide.

Method 2: Press the SETUP button to enter SETUP menu, then use navigation button to select audio setup, find VOICE GUIDE, then set it to ON or OFF.

Need help?

We're here for you every day from 7:00 am – 9:00 pm CST

Give us a call at 1-888-516-2630

April 11, 2024 v5.1