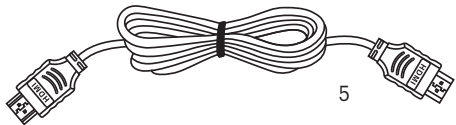
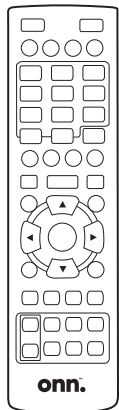
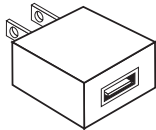
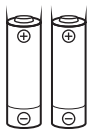
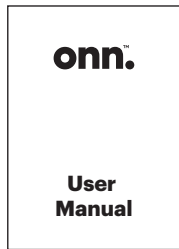
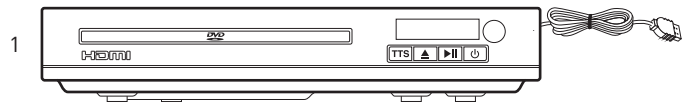




DVD Player  
Quick Start Guide

## What's in the Box?

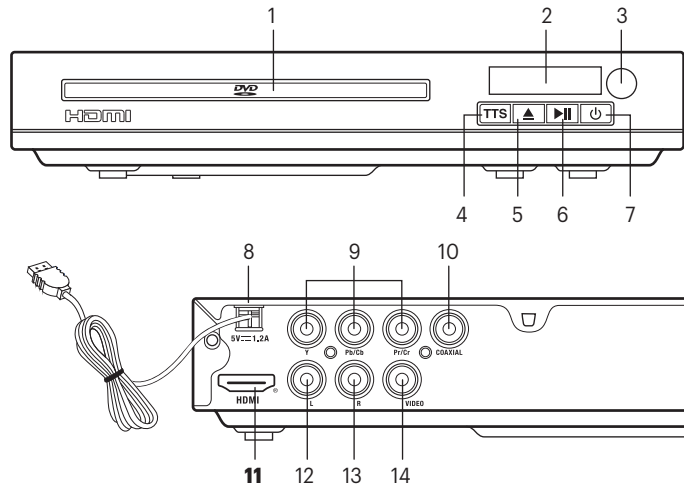
Check to make sure you have everything below



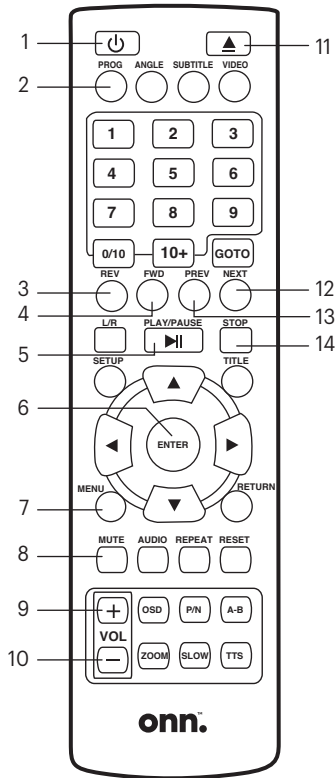
1. DVD Player
2. User's Manual
3. Two (2) "AAA" size batteries
4. AC/USB Adapter
5. HDMI Cable
6. Remote Control

## Getting to know your DVD Player

01



1. Disc Door
2. Display
3. Remote Sensor
4. TTS (Text To Speech) Button
5. OPEN/CLOSE Button
6. PLAY/PAUSE Button
7. POWER Button
8. Power Cord
9. Y, Pb/Cb, Pr/Cr Output Jacks
10. COAXIAL Jack
11. **HDMI Port** (best)
12. AUDIO L (Left) Jack
13. AUDIO R (Right) Jack
14. VIDEO Jack

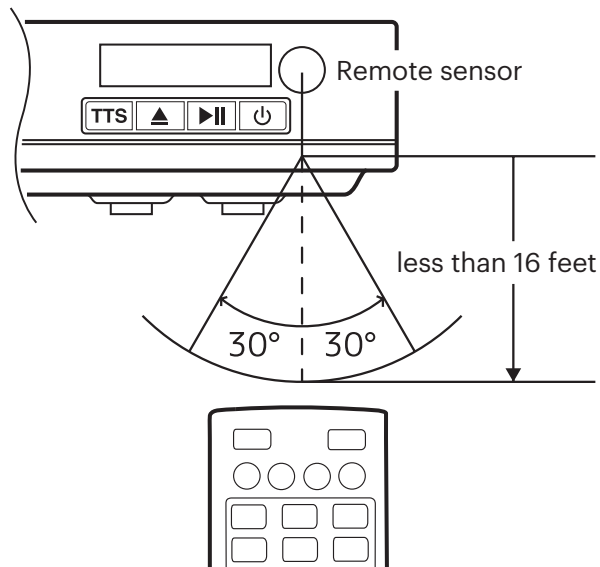


1. Power  $\mathcal{P}$
2. PROG (Program)
3. REV (Reverse)
4. FWD (Forward)
5. PLAY/PAUSE  $\blacktriangleright\parallel$
6. ENTER
7. MENU
8. MUTE
9. VOLUME +
10. VOLUME -
11. OPEN/CLOSE  $\blacktriangle$
12. NEXT (forward)
13. PREV (previous)
14. STOP

**NOTE:** Use directional and main ENTER key to get to DVD menu/title screen.

## REMOTE SENSOR ANGLE

The remote works best at a distance less than 16 feet and at an angle of up to  $\pm 30^\circ$  toward the front of the unit.

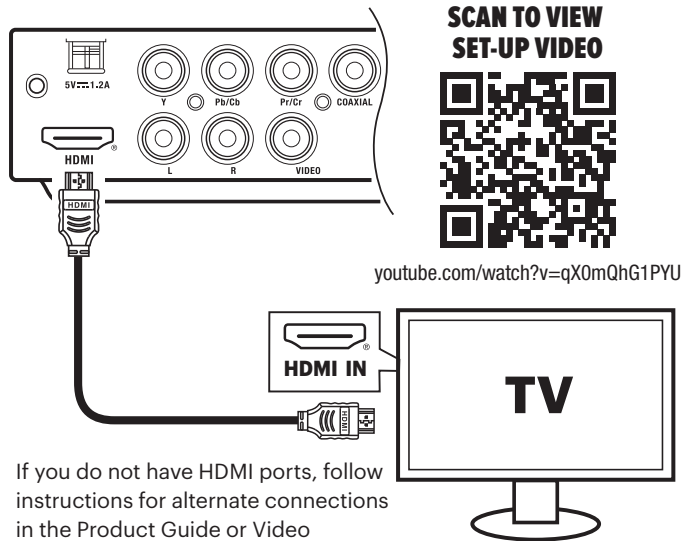


**NOTE:** For everyday use, please use the Basic function keys to power ON/OFF the DVD Player, control volume combined with your TV volume, STOP video playback. Some features require a DVD to be loaded and in playback mode. Advanced programming keys are not necessary for initial video playback.

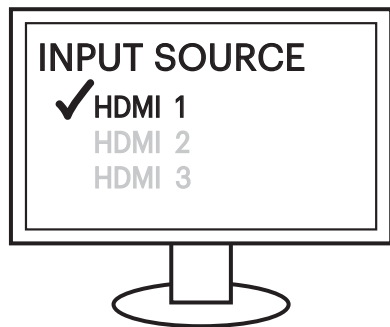
**CONNECTING THE HDMI CABLE (BEST CONNECTION)**

Enjoy crystal-clear, high definition audio and video delivered through a single HDMI cable (included).

- 1: Insert one end of the included HDMI cable to the HDMI port on the back of the DVD Player.
- 2: Connect the other end to an open HDMI port on your TV. Take note of the INPUT (source) port (HDMI 1, HDMI 2, etc.)

**SELECTING THE SOURCE (INPUT)**

- 1: Power on the DVD player and TV. Insert a DVD so that you can test both the picture and the audio.
- 2: Press the SOURCE or INPUT button on your TV remote to cycle through the INPUTS until you match the one your DVD player is connected to.



**NOTE:** If the port(s) on your TV are not labeled or you don't know what INPUT you used, leave the DVD player on and test each INPUT for 5-10 seconds to see when the video appears on your TV.

- 1: Press the ▲ OPEN/CLOSE Button and place a DVD (label side up) then press OPEN/CLOSE Button again to close.
- 2: Tap the ►|| PLAY/PAUSE Button to pause, press it again to resume playback.
- 3: Use the REV Button or FWD Button repeatedly to fast rewind or fast forward, press the ►|| PLAY/PAUSE Button to resume play.
- 4: Press the PREV Button or NEXT Button repeatedly to skip to a specific track or chapter on the DVD.
- 5: Tap the STOP Button to pre-stop, the DVD player will remember where disc was stopped, then press the ►|| PLAY/PAUSE Button to play from this point.
- 6: Push the STOP Button twice to stop completely, then press the ►|| PLAY/PAUSE Button to go back to the beginning.

**NOTE:** when watching a DVD movie , the VOLUME is controlled by BOTH the TV volume AND the DVD player's volume .  
If one of them is set on low, the movie will be very low or NO volume— use them both together to get the volume you want!

For a full description of all the advanced features your new DVD Player is capable of, as well as alternative connection options, please refer to the User Guide included with your new DVD Player.

### Still need help?

We're here for you every day from 7:00 am – 9:00 pm CST.  
Give us a call at 1-888-516-2630

We'd love to hear from you.  
Scan with your Walmart app and  
let us know what you think!

Model # 100093892

